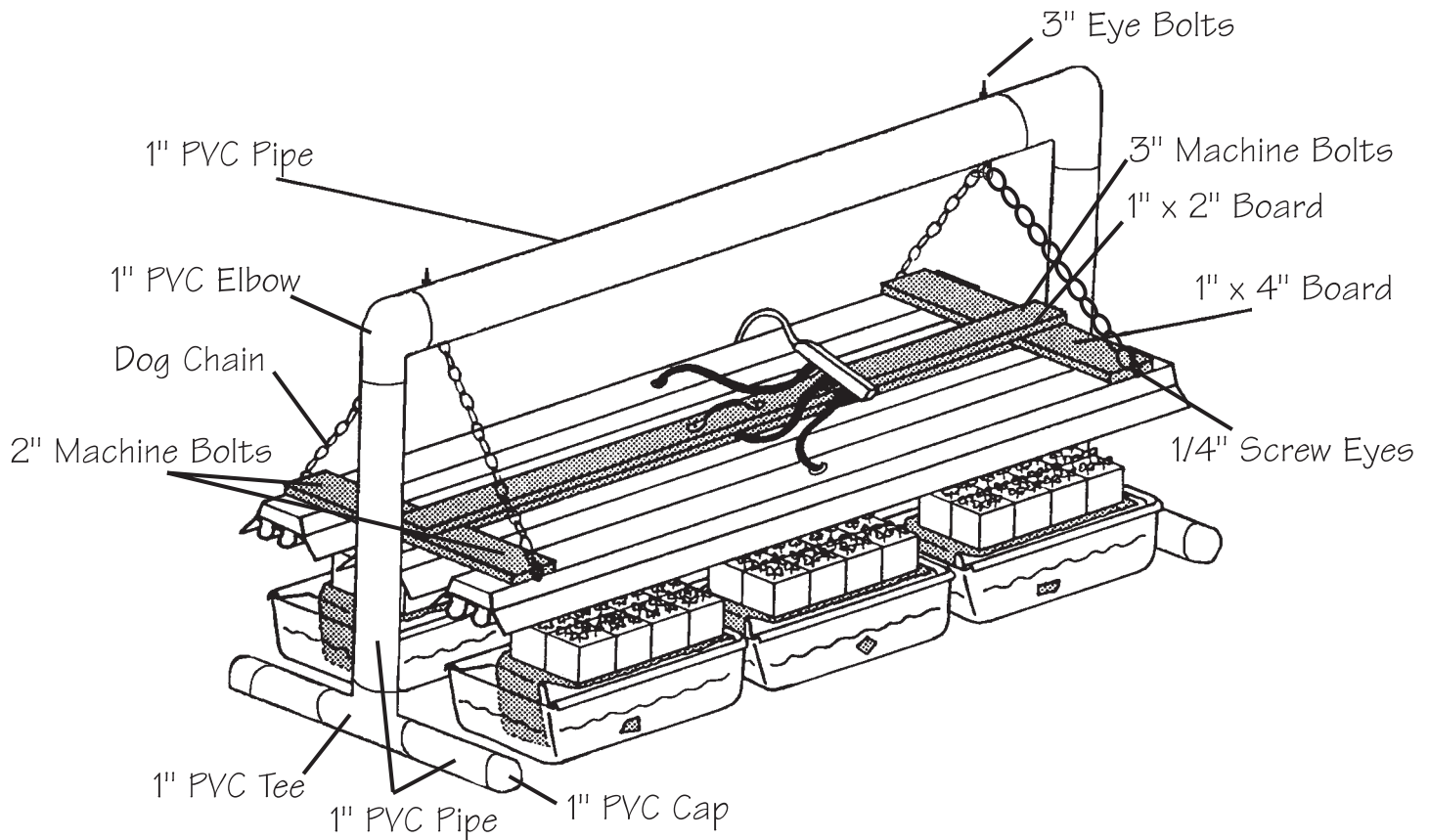


Build Your Own Grow Light Lab For Under \$60.00

You'll pay a lot more, but why? Many grow lamps start at \$400 and go up to more than \$1,000 for a system. All of the materials for this grow lamp laboratory can be purchased at any home improvement center or hardware store. So what's the catch? You'll have to invest about 2-4 hours of your time. This system isn't fancy, but very functional. All you need to add is the plants and plant trays without holes, available at most garden centers. You don't need windows in your classroom.



List of Materials

- 3 2-tube shop (fluorescent light fixtures)
- 6 cool/white fluorescent tubes
- 2 lengths of dog leash chain, 48" long
- 12' 1" schedule 40 PVC
- 4 1" PVC caps
- 2 1" PVC L's (elbows)
- 2 1" T's (Tee's)
- 1 47" long piece of 1" x 2" board
- 2 17" long pieces of 1" x 4" board
- 2 1/4" x 3" eye bolts
- 4 #6 (1/4") screw eyes
- 2 1/4" x 20 x 3" machine bolts
- 4 1/4" x 20 x 2" machine bolts with nuts & washers
- 1 PVC Cement (primer is optional)

Tools Needed

- Drill 1/4" bit
- Small adjustable wrench
- PVC cutter or hacksaw
- Screwdriver
- Handsaw for cutting boards
- Pliers

